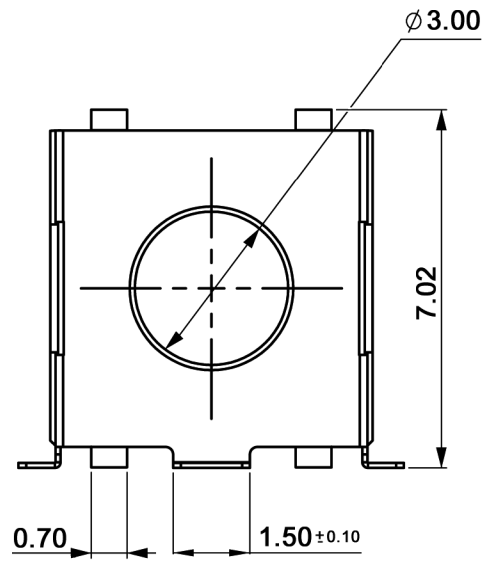
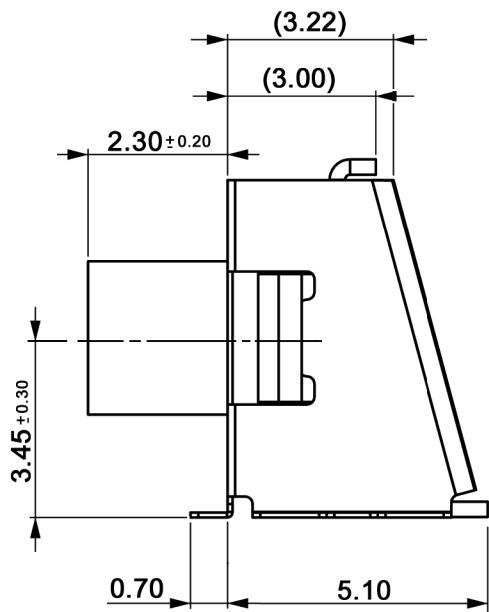
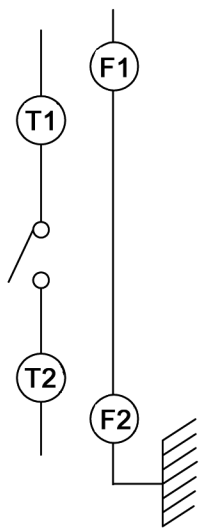
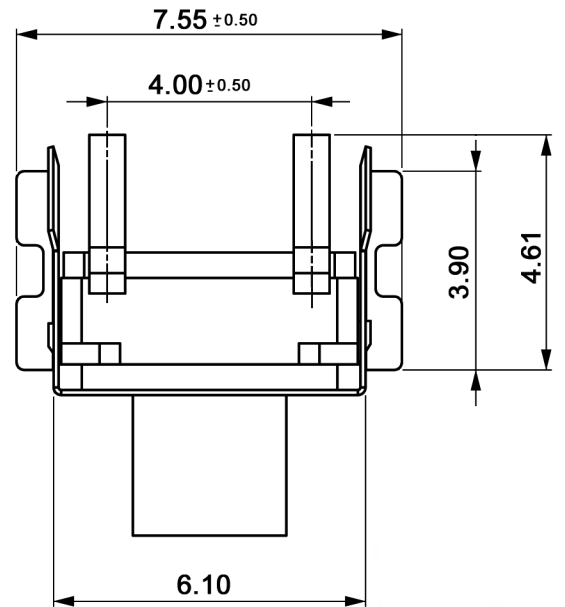
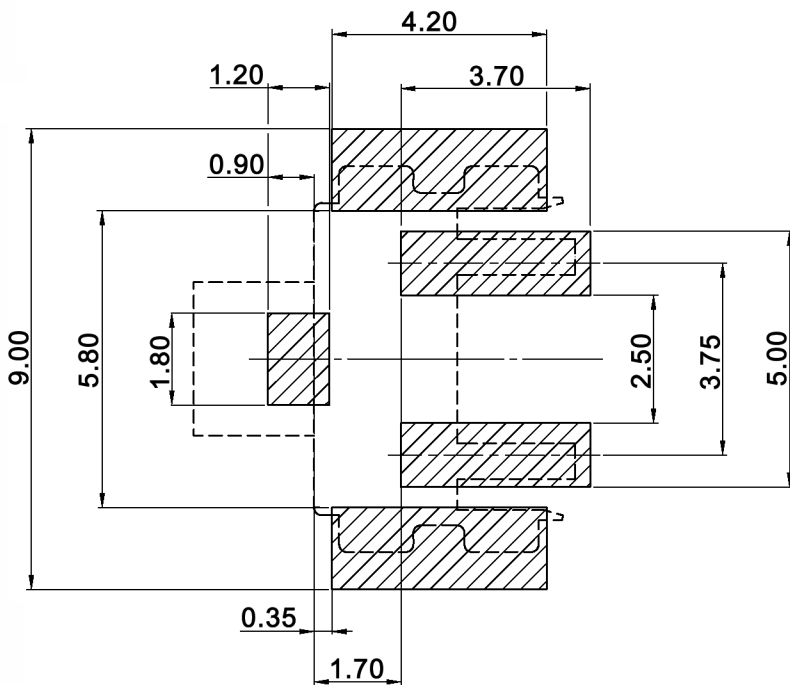


CIRCUIT DIAGRAM



P.C.B. LAYOUT



Compliance: RohS III (2015/863/EU)

Tolerances: ±0.20mm	Date	Name
	02/01	us
Dimension	08/20	dr
Revised	04/12	dr
Travel	08/10	dr
Modifications	Date	Name

TSSE 623 x-RA-1

knitter-switch

30 02 30

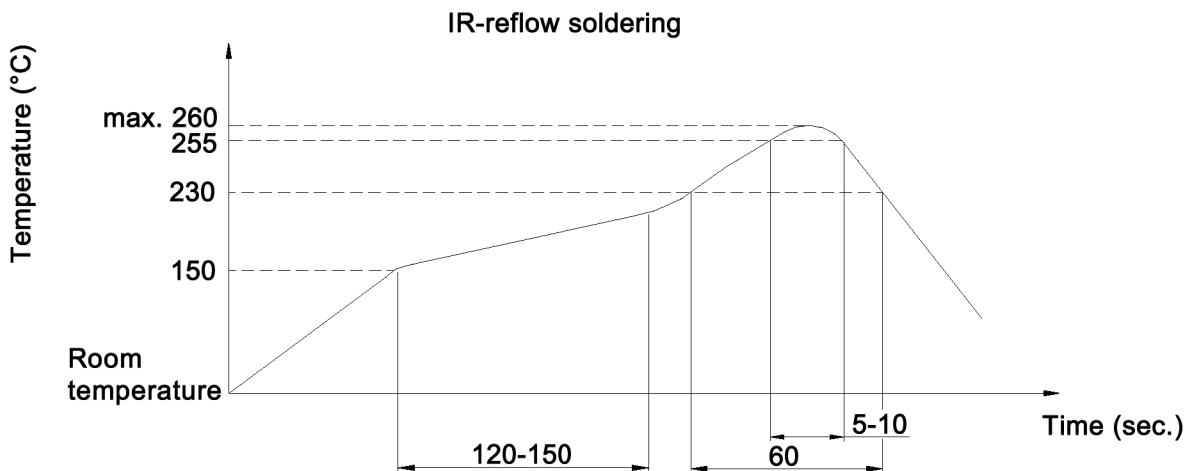
Page

1/2

Specifications:

Contact rating: 50mA, 12V DC
 Contact resistance: 100mOhm max.
 Insulation resistance: 100MOhm min. at 500V DC for 1 minute
 Dielectric strength: 250V AC (50Hz or 60Hz) for 1 minute
 Operating temperature: -40°C to +85°C
 Storage temperature: -40°C to +85°C
 Mechanical life: 500 000 cycles
 Travel: 0.45 +/-0.2mm
 Material: Cover: nickel silver
 Sealed rubber: silicone rubber hardness: 70°-60°
 Contact: phosphor bronze, silver plated
 Terminal: brass, silver plated
 Base: high-temp. thermoplastic PA9T UL94V-0, molded black

Soldering conditions:



x	Operating force (gf)	Stem colour
R	260 +/-70	red
N	180 +/-50	brown
RK	260 +/-70	black
NK	180 +/-50	black

Compliance: RohS III (2015/863/EU)

Tolerances: ±0.20mm		Date	Name	<h1>TSSE 623 x-RA-1</h1>
		02/01	us	
Dimension	08/20	dr	knitter-switch	<h2>30 02 30</h2>
Revised	04/12	dr		
Travel	08/10	dr		
Modifications	Date	Name		Page 2/2